



**NST**  
**NILES**  
**STEEL**  
**TANK**  
SINCE 1898

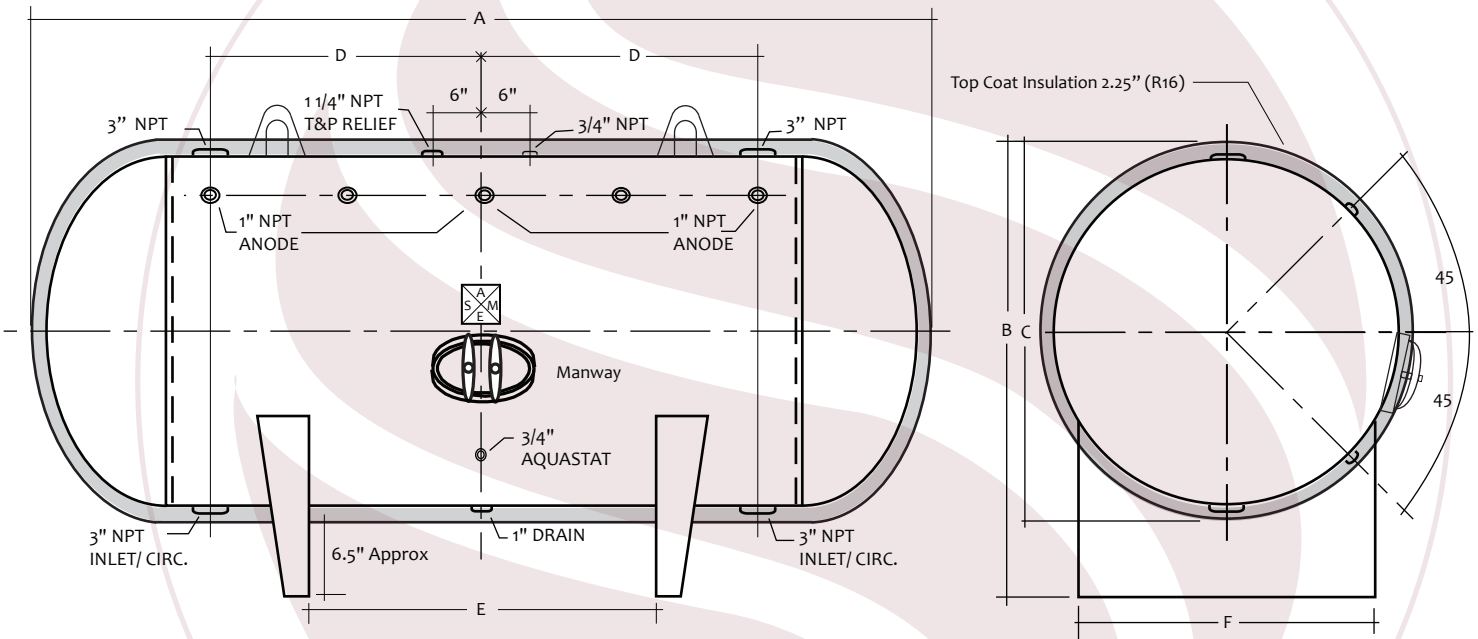
# MODEL # BH-60-192-TC

## Design Notes

Code..... ASME Sec IV HLW  
 Design Pressure..... 125 psi  
 Test Pressure..... 125 psi  
 Interior..... Ultonium Glass Lining  
 Exterior..... R-16 Topcoat Insulation  
 Supports..... Saddles  
 Capacity..... 2105 Gal. / 2276 nominal  
 Weight..... 3766 Lbs.

## Material Specifications

Heads..... Carbon Steel  
 Shell..... Carbon Steel  
 Couplings..... Carbon Steel  
 Flanges..... N/A  
 Pipe..... N/A  
 Manway..... Carbon Steel



HORIZONTAL STORAGE TANK

\*\* Overall height, length and diameter may vary due to variations in Topcoat thickness

| Mark | Dimension | Remark                            | NOTES              |
|------|-----------|-----------------------------------|--------------------|
| A    | 197"      | Overall length (Includes Topcoat) | PROJECT            |
| B    | 71.25"    | Overall height (Includes Topcoat) | CUSTOMER           |
| C    | 65"       | Diameter (Includes Topcoat)       | SCALE Not to Scale |
| D    | 75"       | Circulation                       | DATE               |
| E    | 144"      | Supports                          | CUSTOMER P.O. #    |
| F    | 52.5"     | Support width                     | DRAWING Rev NO.    |