



NST
NILES
STEEL
TANK
 SINCE 1898™

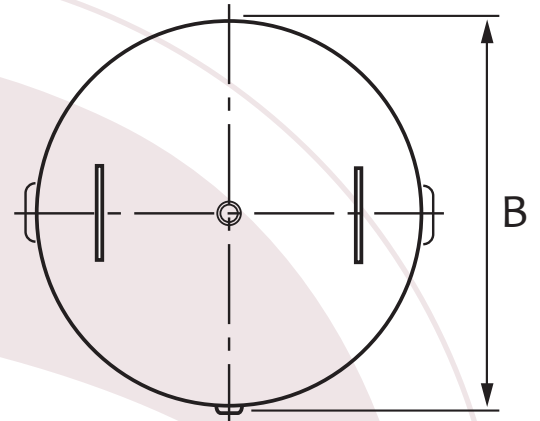
MODEL # SEP-24-045

Design Notes

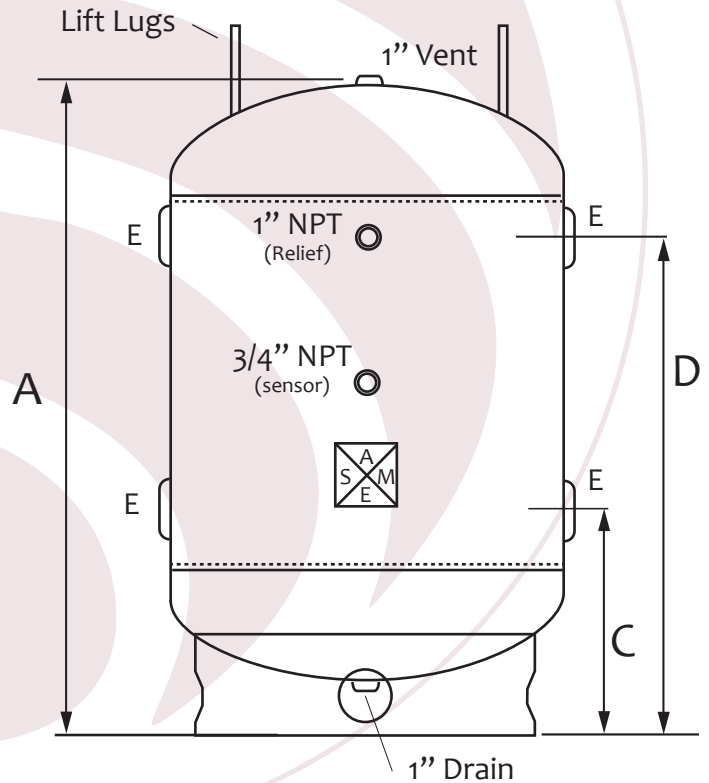
Code..... ASME Code Sec VIII Div 1
 Design Pressure..... 125 psi
 Test Pressure..... 163 psi
 Interior..... NA
 Exterior..... Primed Painted
 Supports..... 4" Skirt
 Capacity..... 80 Gal.
 Weight..... 230 Lbs.

Material Specifications

Heads..... Carbon Steel
 Shell..... Carbon Steel
 Couplings..... Carbon Steel
 Flanges..... N/A
 Pipe..... N/A
 Manway..... N/A



Mark	Dimension	Remark
A	45"	Overall height
B	24"	Diameter
C	16.75"	Inlet/ Outlet
D	36.25"	Inlet/ Outlet
E	3" NPT	Circulation
G		



NOTES	
PROJECT	
CUSTOMER	
SCALE	Not to Scale
DATE	
CUSTOMER P.O. #	
DRAWING Rev NO.	

The Niles Steel Tank Hydraulic Separators are designed for 125 psi (150 optional). Standard sizes range from 120 gallon up to 860 actual gallons. Custom sizes and additional fittings are available.