



**NST**  
**NILES**  
**STEEL**  
**TANK**  
SINCE 1898

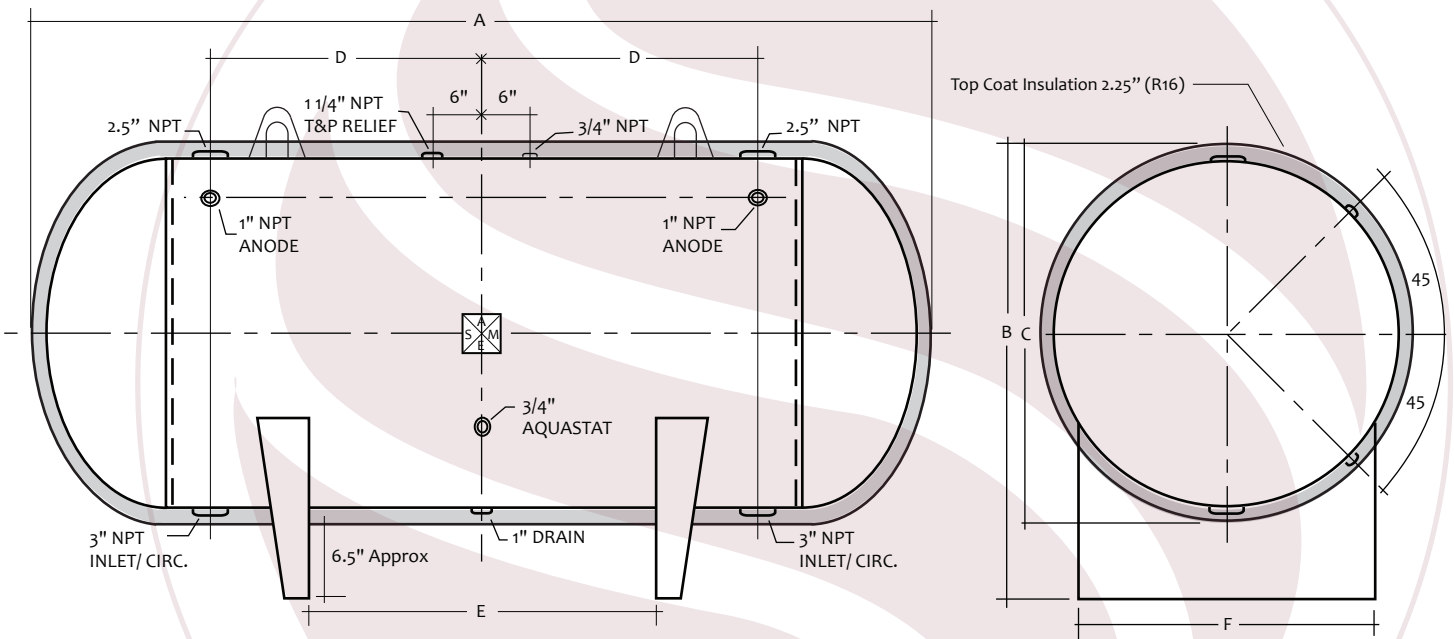
# MODEL # BH-30-075-TC

## Design Notes

Code..... ASME Sec IV HLW  
 Design Pressure..... 125 psi  
 Test Pressure..... 125 psi  
 Interior..... Ultonium Glass Lining  
 Exterior..... R-16 Topcoat Insulation  
 Supports..... Saddles  
 Capacity..... 210 Gal. / 229 nominal  
 Weight..... 412 Lbs.

## Material Specifications

Heads..... Carbon Steel  
 Shell..... Carbon Steel  
 Couplings..... Carbon Steel  
 Flanges..... N/A  
 Pipe..... N/A  
 Manway..... N/A



HORIZONTAL STORAGE TANK

\*\* Overall height, length and diameter may vary due to variations in Topcoat thickness

| Mark | Dimension | Remark                            | NOTES              |
|------|-----------|-----------------------------------|--------------------|
| A    | 79.5"     | Overall length (Includes Topcoat) | PROJECT            |
| B    | 41.25"    | Overall height (Includes Topcoat) | CUSTOMER           |
| C    | 34.5"     | Diameter (Includes Topcoat)       | SCALE Not to Scale |
| D    | 24"       | Circulation                       | DATE               |
| E    | 24"       | Supports                          | CUSTOMER P.O. #    |
| F    | 26.38"    | Support width                     | DRAWING Rev NO.    |