



NST
NILES
STEEL
TANK
SINCE 1898

MODEL # S-20-058

Design Notes

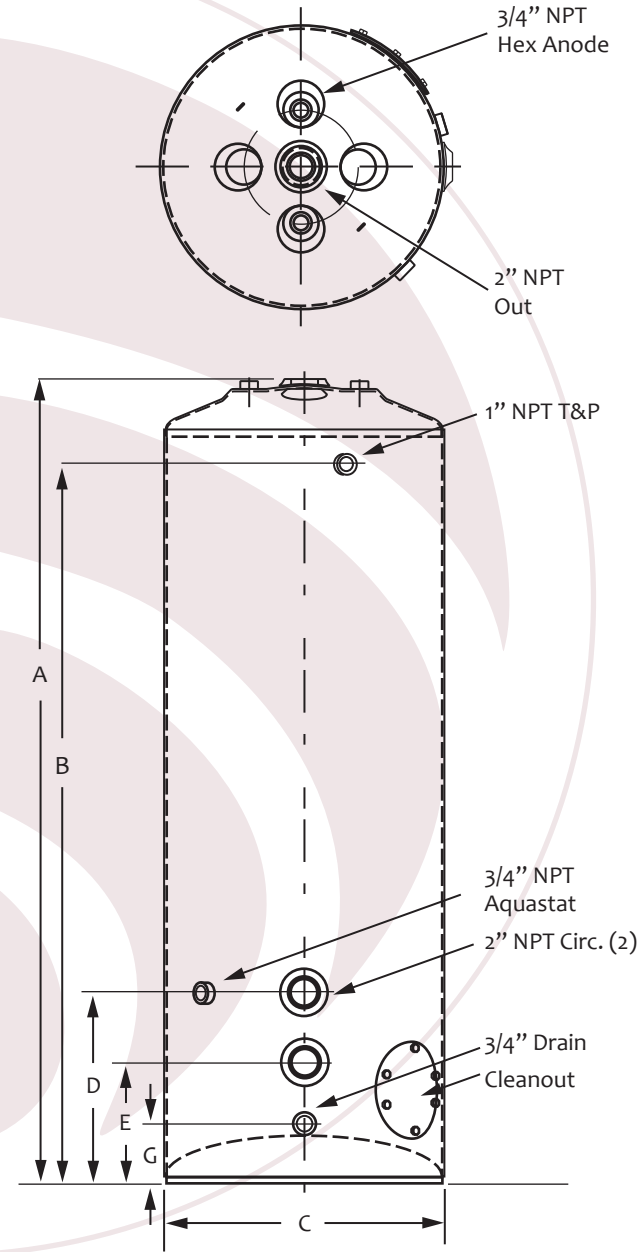
Code..... Non-Code
 Design Pressure..... 150 psi
 Test Pressure..... 150 psi
 Interior..... Ultonium Glass Lining
 Exterior..... Primed Painted
 Supports..... Sits on Shell
 Capacity..... 80 Gal.
 Weight..... 100 Lbs.

Material Specifications

Heads..... Carbon Steel
 Shell..... Carbon Steel
 Couplings..... Carbon Steel
 Flanges..... N/A
 Pipe..... N/A
 Manway..... N/A

Mark	Dimension	Remark
A	58 1/4"	Overall height
B	52 1/16"	Relief
C	20"	Diameter
D	13 13/16"	Circulation
E	8 13/16"	Circulation
G	4 5/16"	Drain

NOTES	
PROJECT	
CUSTOMER	
SCALE	Not to Scale
DATE	
CUSTOMER P.O. #	
DRAWING Rev NO.	



VERTICAL STORAGE TANK