



**NST**  
**NILES**  
**STEEL**  
**TANK**  
SINCE 1898

# MODEL # SEP-36-072

## Design Notes

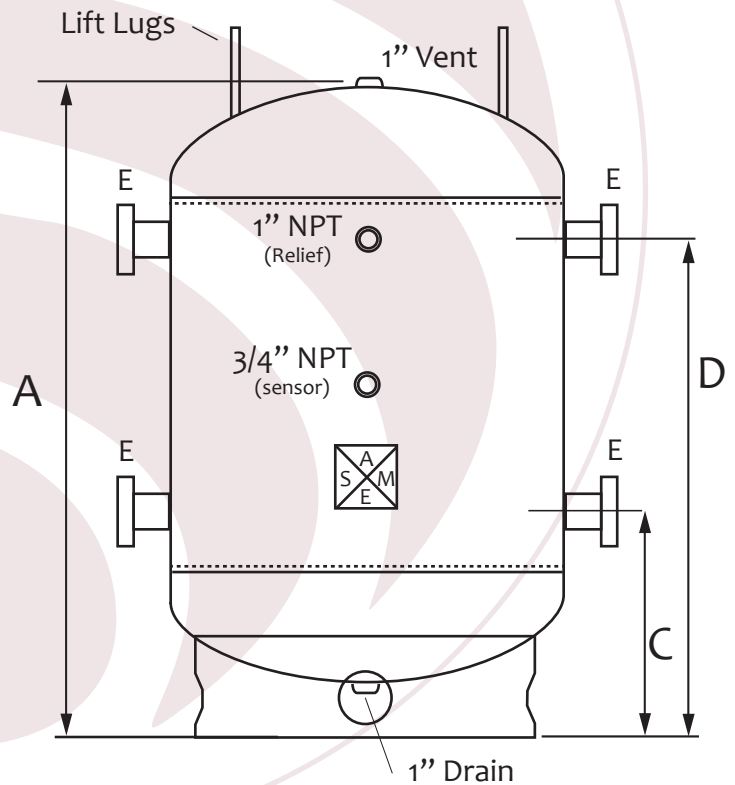
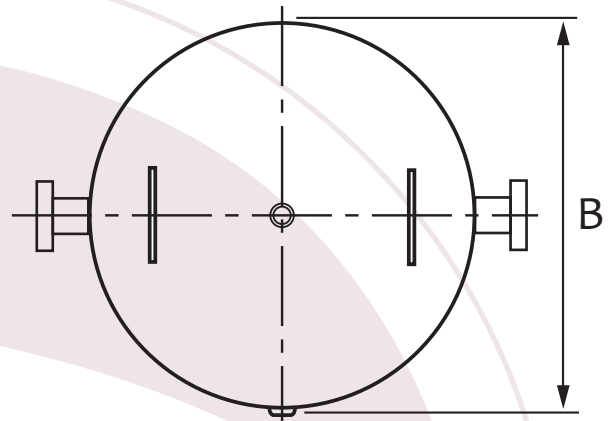
Code..... ASME Code Sec VIII Div 1  
 Design Pressure..... 125 psi  
 Test Pressure..... 163 psi  
 Interior..... NA  
 Exterior..... Primed Painted  
 Supports..... 4" Skirt  
 Capacity..... 285 Gal.  
 Weight..... 760 Lbs.

## Material Specifications

Heads..... Carbon Steel  
 Shell..... Carbon Steel  
 Couplings..... Carbon Steel  
 Flanges..... N/A  
 Pipe..... N/A  
 Manway..... N/A

Mark	Dimension	Remark
A	76"	Overall height
B	36"	Diameter
C	24.5"	Inlet/ Outlet
D	55.5"	Inlet/ Outlet
E	4" Flg.	Circulation
G		

NOTES	
PROJECT	
CUSTOMER	
SCALE	Not to Scale
DATE	
CUSTOMER P.O. #	
DRAWING Rev NO.	



The Niles Steel Tank Hydraulic Separators are designed for 125 psi (150 optional). Standard sizes range from 120 gallon up to 860 actual gallons. Custom sizes and additional fittings are available.