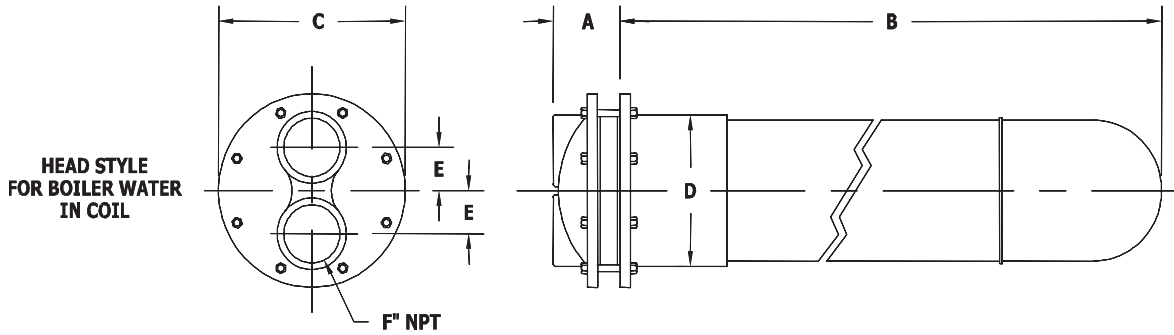


Performance Ratings

Large Volume Storage Tanks Equipped with Tube Bundle Heat Exchangers



| Tank Model Number | Capacity Gallon | A | C | D | E | F | G | H | J | K | L | M | N |
|-------------------|-----------------|-----|--------------------------------|----|-------------------------------|--------------------------------|--------------------------------|----|----|-----|-----|--------------------------------|-------------------------------|
| B-30-063-G | 175 | 67 | 17 ¹ / ₂ | 30 | 2 ¹ / ₂ | 18 | 26 ³ / ₈ | 39 | 18 | 63 | 80 | 47 ³ / ₄ | 1 |
| B-30-075-G | 210 | 79 | 17 ¹ / ₂ | 30 | 2 ¹ / ₂ | 24 | 26 ³ / ₈ | 39 | 24 | 75 | 92 | 47 ³ / ₄ | 1 |
| B-30-085-G | 240 | 89 | 17 ¹ / ₂ | 30 | 2 ¹ / ₂ | 29 | 26 ³ / ₈ | 39 | 34 | 85 | 102 | 47 ³ / ₄ | 1 |
| B-30-099-G | 280 | 103 | 17 ¹ / ₂ | 30 | 2 ¹ / ₂ | 36 | 26 ³ / ₈ | 39 | 48 | 99 | 116 | 47 ³ / ₄ | 1 |
| B-30-111-G | 320 | 115 | 17 ¹ / ₂ | 30 | 2 ¹ / ₂ | 42 | 26 ³ / ₈ | 39 | 60 | 111 | 128 | 47 ³ / ₄ | 1 |
| B-36-072-G | 285 | 76 | 19 | 36 | 2 ¹ / ₂ | 21 | 31 ¹ / ₂ | 45 | 18 | 72 | 89 | 53 ³ / ₄ | 1 |
| B-36-078-G | 310 | 82 | 19 | 36 | 2 ¹ / ₂ | 24 | 31 ¹ / ₂ | 45 | 24 | 78 | 95 | 53 ³ / ₄ | 1 |
| B-36-085-G | 340 | 89 | 19 | 36 | 2 ¹ / ₂ | 27 ¹ / ₂ | 31 ¹ / ₂ | 45 | 31 | 85 | 102 | 53 ³ / ₄ | 1 |
| B-36-090-G | 360 | 94 | 19 | 36 | 2 ¹ / ₂ | 30 | 31 ¹ / ₂ | 45 | 36 | 90 | 107 | 53 ³ / ₄ | 1 |
| B-36-102-G | 415 | 106 | 19 | 36 | 2 ¹ / ₂ | 36 | 31 ¹ / ₂ | 45 | 48 | 102 | 119 | 53 ³ / ₄ | 1 |
| B-36-114-G | 465 | 118 | 19 | 36 | 2 ¹ / ₂ | 42 | 31 ¹ / ₂ | 45 | 60 | 114 | 131 | 53 ³ / ₄ | 1 |
| B-36-126-G | 515 | 130 | 19 | 36 | 2 ¹ / ₂ | 48 | 31 ¹ / ₂ | 45 | 72 | 126 | 143 | 53 ³ / ₄ | 1 |
| B-42-081-G | 435 | 85 | 20 ¹ / ₂ | 42 | 3 | 24 | 36 ³ / ₄ | 51 | 24 | 81 | 98 | 59 ³ / ₄ | 1 |
| B-42-084-G | 455 | 88 | 20 ¹ / ₂ | 42 | 3 | 25 ¹ / ₂ | 36 ³ / ₄ | 51 | 27 | 84 | 101 | 59 ³ / ₄ | 1 |
| B-42-085-G | 460 | 89 | 20 ¹ / ₂ | 42 | 3 | 26 | 36 ³ / ₄ | 51 | 28 | 85 | 102 | 59 ³ / ₄ | 1 |
| B-42-093-G | 505 | 97 | 20 ¹ / ₂ | 42 | 3 | 30 | 36 ³ / ₄ | 51 | 36 | 93 | 110 | 59 ³ / ₄ | 1 |
| B-42-105-G | 575 | 109 | 20 ¹ / ₂ | 42 | 3 | 36 | 36 ³ / ₄ | 51 | 48 | 105 | 122 | 59 ³ / ₄ | 1 |
| B-42-117-G | 645 | 121 | 20 ¹ / ₂ | 42 | 3 | 42 | 36 ³ / ₄ | 51 | 60 | 117 | 134 | 59 ³ / ₄ | 1 ¹ / ₄ |
| B-42-129-G | 720 | 133 | 20 ¹ / ₂ | 42 | 3 | 48 | 36 ³ / ₄ | 51 | 72 | 129 | 146 | 59 ³ / ₄ | 1 ¹ / ₄ |
| B-42-139-G | 790 | 143 | 20 ¹ / ₂ | 42 | 3 | 53 | 36 ³ / ₄ | 51 | 82 | 139 | 156 | 59 ³ / ₄ | 1 ¹ / ₄ |
| B-48-073-G | 500 | 77 | 22 | 48 | 3 | 18 ¹ / ₂ | 42 ¹ / ₈ | 57 | 17 | 73 | 90 | 65 ³ / ₄ | 1 |
| B-48-084-G | 580 | 88 | 22 | 48 | 3 | 24 | 42 ¹ / ₈ | 57 | 24 | 84 | 101 | 65 ³ / ₄ | 1 |
| B-48-096-G | 675 | 100 | 22 | 48 | 3 | 30 | 42 ¹ / ₈ | 57 | 36 | 96 | 113 | 65 ³ / ₄ | 1 ¹ / ₄ |
| B-48-108-G | 765 | 112 | 22 | 48 | 3 | 36 | 42 ¹ / ₈ | 57 | 48 | 108 | 125 | 65 ³ / ₄ | 1 ¹ / ₄ |
| B-48-120-G | 860 | 124 | 22 | 48 | 3 | 42 | 42 ¹ / ₈ | 57 | 60 | 120 | 137 | 65 ³ / ₄ | 1 ¹ / ₄ |
| B-48-141-G | 1040 | 145 | 22 | 48 | 3 | 52 ¹ / ₂ | 42 ¹ / ₈ | 57 | 81 | 141 | 158 | 65 ³ / ₄ | 1 ¹ / ₄ |

| | Tank Model Number | FT ² | A | B | C | D | E | F |
|-------------|-------------------|-----------------|-------------------------------|--------------------------------|--------------------------------|--------------------------------|---------------------------------|---|
| Single Wall | SW8-24 | 15 | 3 ³ / ₈ | 22 ¹ / ₄ | 12 ¹ / ₂ | 8 ⁵ / ₈ | 2 ¹ / ₂ | 3 |
| | SW10-30 | 34.5 | 3 ³ / ₈ | 29 ³ / ₈ | 14 ³ / ₈ | 10 ³ / ₄ | 2 ¹⁵ / ₁₆ | 4 |
| | SW10-42 | 49.5 | 3 ³ / ₈ | 41 ³ / ₈ | 14 ³ / ₈ | 10 ³ / ₄ | 2 ¹⁵ / ₁₆ | 4 |
| | SW12-42 | 72 | 3 ³ / ₈ | 42 ¹ / ₄ | 16 ³ / ₈ | 12 ³ / ₄ | 3 ¹¹ / ₁₆ | 4 |
| | SW14-42 | 102 | 6 ³ / ₈ | 43 ¹ / ₂ | 17 ⁷ / ₈ | 14 | 4 | 6 |
| Double Wall | DW8-30 | 15 | 4 ³ / ₈ | 28 ¹ / ₄ | 12 ¹ / ₂ | 8 ⁵ / ₈ | 2 ¹ / ₂ | 3 |
| | DW10-36 | 34.5 | 4 ¹ / ₂ | 35 ³ / ₈ | 14 ³ / ₈ | 10 ³ / ₄ | 2 ¹⁵ / ₁₆ | 4 |
| | DW12-42 | 72 | 5 ¹ / ₈ | 42 ¹ / ₄ | 16 ³ / ₈ | 12 ³ / ₄ | 3 ¹¹ / ₁₆ | 4 |
| | DW14-48 | 102 | 7 ¹ / ₂ | 49 ¹ / ₂ | 17 ⁵ / ₈ | 12 | 4 | 6 |

Maximum Pressure Rating for Coils

| Coil Diameter | Design Press. PSI | Test Press. PSI |
|---------------|-------------------|-----------------|
| 8" | 150 | 300 |
| 10" | 125 | 250 |
| 12" | 125 | 250 |
| 14" | 125 | 250 |

Max Design Temperature of 300°F

NOTES: Standard materials for potable tank water include copper tubes, brass tube sheet for Single Wall units, 304 Stainless Steel tube sheet for Double Wall units, brass spacers, and cast iron head.
For construction materials other than standard, consult the factory.
Additional tube sheet present in Double Wall units is not shown in this layout.

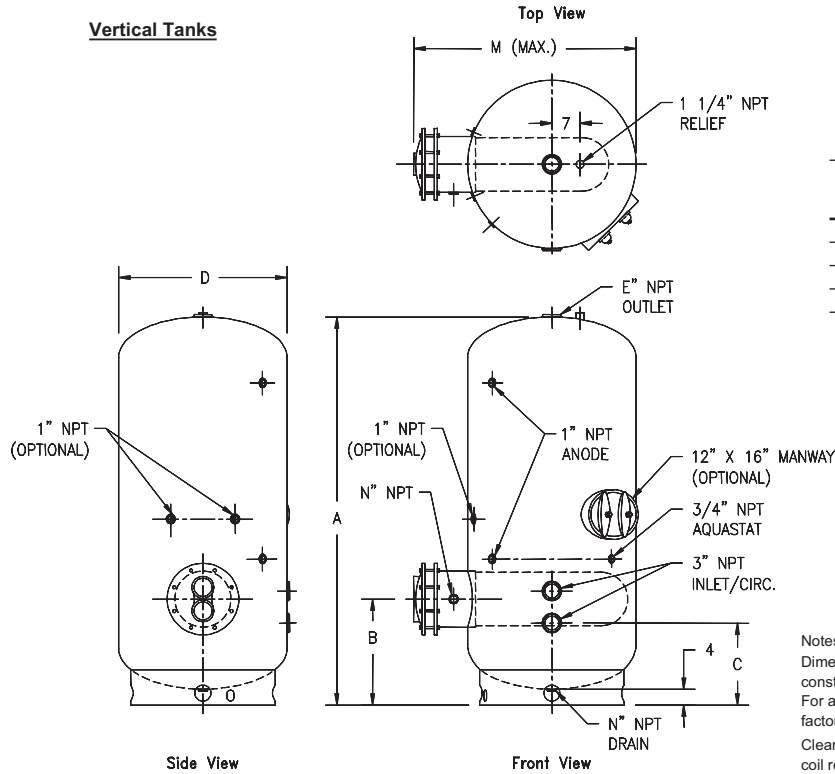
| | | |
|---|---|--|
| <p>Additional tube bundle sizes are available. <i>Please contact the factory with the following information for a quote:</i></p> <p>Heat Load - _____ Btu (Boiler output)</p> | <p>Tube Side: Fluid – water/steam Inlet temperature _____ °F Outlet temperature _____ °F Flow Rate _____ gpm</p> | <p>Tank Side: Tank fluid – water/steam Inlet temperature _____ °F Outlet temperature _____ °F Recovery Rate _____ gph</p> |
|---|---|--|

Performance Ratings

Large Volume Storage Tanks Equipped with Tube Bundle Heat Exchangers



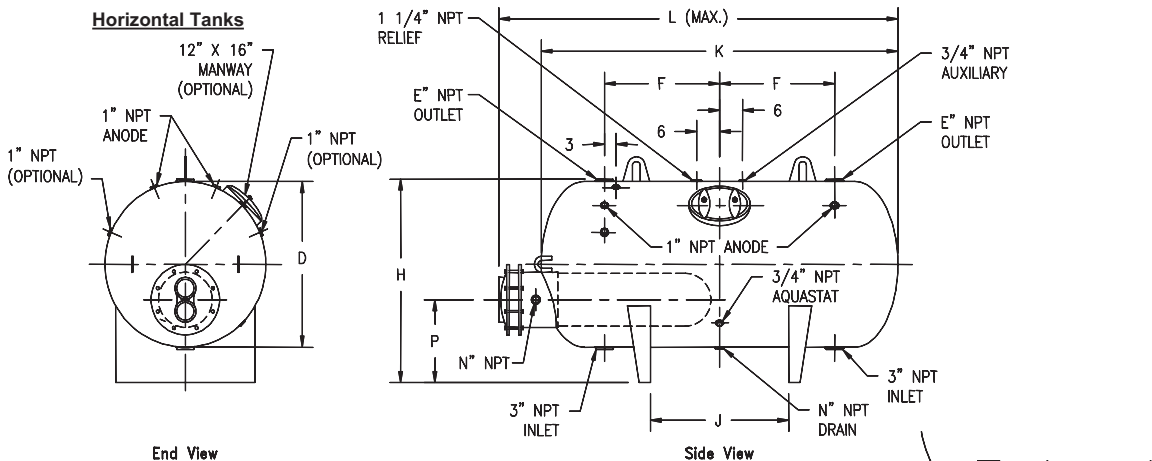
Vertical Tanks



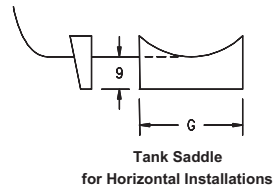
| Tank Diameter | Dimension B | | | |
|---------------|--------------------------------|--------------------------------|--------------------------------|--------------------------------|
| | Coil Diameter | | | |
| 30 | 21 | 22 | n/a | n/a |
| 36 | 23 ³ / ₈ | 24 ³ / ₈ | n/a | n/a |
| 42 | 23 ³ / ₈ | 24 ² / ₈ | 25 ⁷ / ₈ | 26 ¹ / ₂ |
| 48 | 25 ⁷ / ₈ | 26 ⁷ / ₈ | 27 ⁷ / ₈ | 28 ¹ / ₂ |

Notes:
 Dimensions shown represent 125 PSI standard tank construction.
 For additional dimensional information, consult the factory.
 Clearance should be provided at installation to permit coil removal.

Horizontal Tanks



| Tank Diameter | Dimension P | | | |
|---------------|--------------------------------|--------------------------------|--------------------------------|--------------------------------|
| | Coil Diameter | | | |
| 30 | 18 ¹ / ₂ | 19 ³ / ₄ | 21 ³ / ₈ | n/a |
| 36 | 19 ¹ / ₈ | 20 ¹ / ₂ | 21 ⁷ / ₈ | 23 ¹ / ₂ |
| 42 | 19 ³ / ₄ | 21 | 22 ¹ / ₂ | 24 |
| 48 | 20 ³ / ₈ | 21 ³ / ₈ | 23 ¹ / ₈ | 26 ⁵ / ₈ |



A subsidiary of **BRADFORD WHITE CORPORATION**