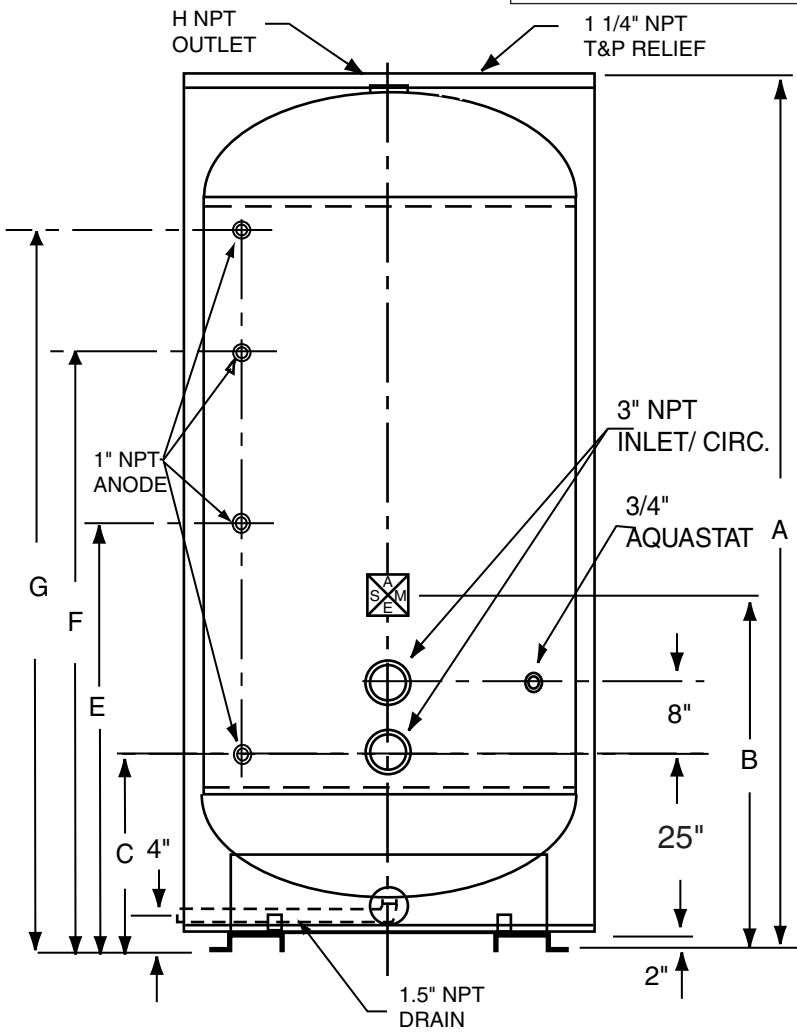


NST
NILES
STEEL
TANK
SINCE 1898

1701 Terminal Road
P.O. Box 728
Niles, MI 49120
PHONE 269-683-1910
FAX 269-683-1953
www.nilesst.com

A SUBSIDIARY OF BRADFORD WHITE CORPORATION

| Design Notes | |
|-----------------|--------------------------|
| Code | ASME Sec IV HLW |
| Design Pressure | 125 psi |
| Test Pressure | 125 psi |
| Heads | 1/4" 414G |
| Shell | 3/16" 516 Grade 70 |
| Interior | Ultonium Glass Lining |
| Exterior | Primed Painted |
| Radiograph | None |
| Capacity | 1530 Gal. / 1689 nominal |
| Tare Weight | 3,541 Lbs. |
| Supports | Skirt |



VERTICAL STORAGE TANK

| Material Specifications | |
|-------------------------|----------------|
| Heads | Carbon Steel |
| Shell | Carbon Steel |
| Couplings | Carbon Steel |
| Flanges | |
| Pipe | |
| Manway | |
| Lining | Ultonium Glass |

| Mark | | |
|------|--------|----------------|
| A | 146" | Overall height |
| B | 42.5" | ASME Plate |
| C | 27" | Circulation |
| D | 64" | Diameter |
| E | 57.5" | Anode |
| F | 97.5" | Anode |
| G | 130.5" | Anode |
| H | 3" | Hot Out |
| | 1.5" | Drain |
| | | |
| | | |
| | | |
| | | |
| | | |
| | | |

| NOTES |
|-------|
| |
| |
| |
| |
| |
| |

| PROJECT | |
|-----------------|--------------|
| CUSTOMER | |
| SCALE | Not to Scale |
| DATE | |
| CUSTOMER P.O. # | |
| DRAWING NO. | JS-60-138 |